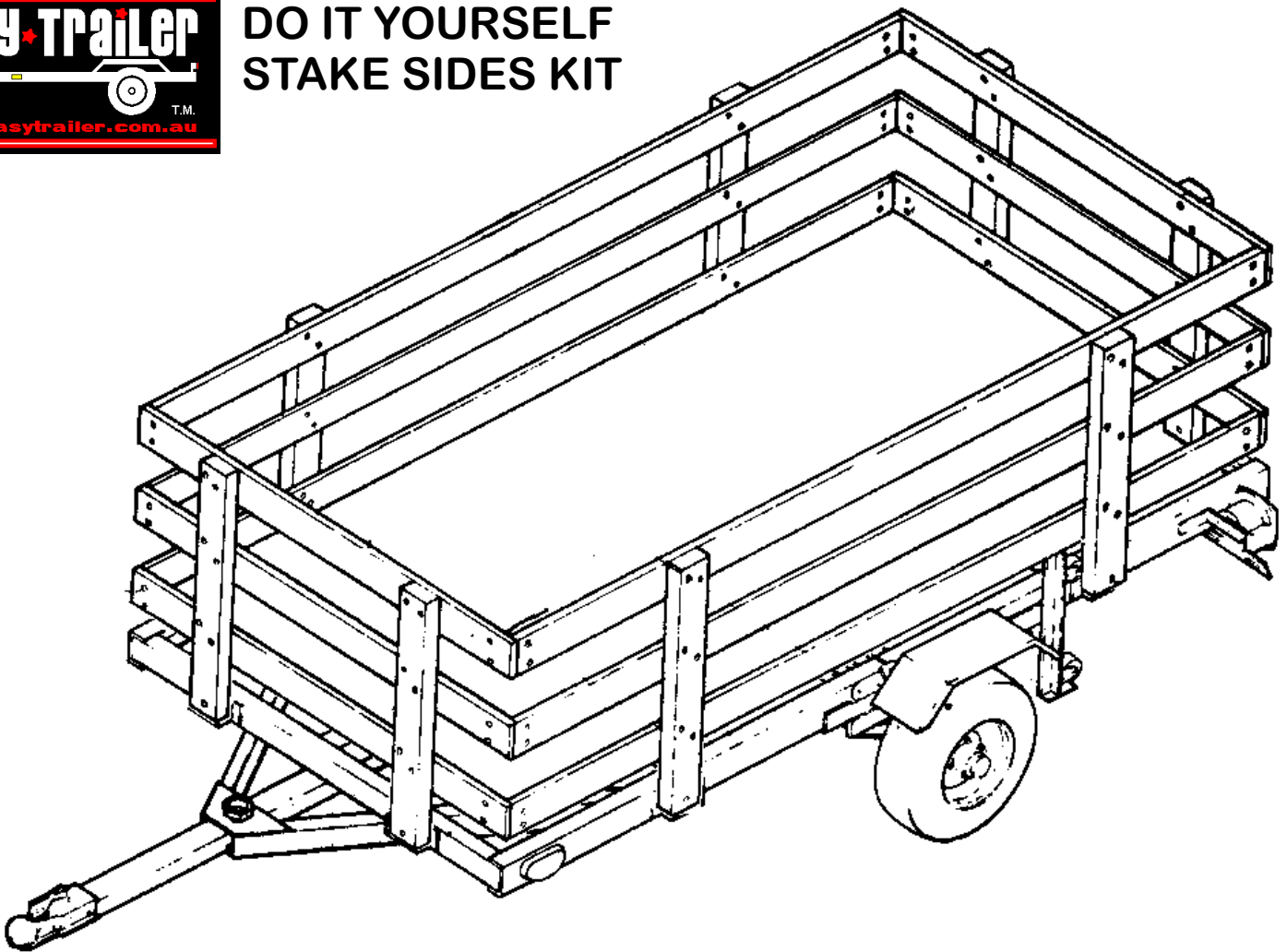


DO IT YOURSELF STAKE SIDES KIT



4 SIDED HIGH SIDES BOX KIT—REMOVABLE SIDES—900mm High

MATERIALS LIST:

2 x 17mm x 2440 x 1220mm Formply
 8.0m F5—90mm x 45mm Pine Timber

HARDWARE LIST:

8 x 3/8" x 3" Bolts
 8 x 3/8" Nylok Nuts
 48 x 1/4" x 2" Self Tapping Wood Screws (or Bolts & Nuts)
 4 x Over Centre Catches & Mounting Screws (or Angle Steel)

INSTRUCTIONS:

1. Measure & Cut 8 Pieces F5 90x45 Pine Length to 965mm Lengths
2. Cut Out Section at base of F5 Pine Lengths to the dimensions shown in the diagram to the right.
3. Cut 17mm x 2440mm x 1220mm Formply Sheets into Sections. See Diagram Next Page.
4. Insert F5 Pine Lengths into the Stake Clamps.
5. Mark & Drill 10mm Hole through Pine Upright, Bolt using 3" Long Bolts to secure the Upright & Stake Clamp in place.
6. Mount Front Slats to Pine Uprights & use self tapping wood screws to secure slats to uprights. Use 4 Screws per slat minimum.
7. Repeat #6 for Rear & Side Panels ensuring each panel is equal spaced for correct fit, allow a 100mm space between each slat.
8. Fit on each top corner, Over centre type catches or latch type device to lock each panel corner together.
9. Finish with a Paint or Stain Finish to your choice of color.

